

# COBRA BA 0100 C

Dry screw vacuum pump



VACUUM SOLUTIONS



## High performance

Advanced screw design, bell-shaped construction, patented self-balancing screws, excellent running qualities, perfectly suited for semiconductor and analytical applications, sterilization, freeze-drying, furnaces, thin film coating and gas recovery

## Efficient

Low cost of ownership, minimal maintenance, long service intervals, high uptime, efficient air cooling

## Compact

Fit-in-place design, directly mounted canned motor

### Accessories

- Seal and dilution gas system for pumping vapors and condensable gases

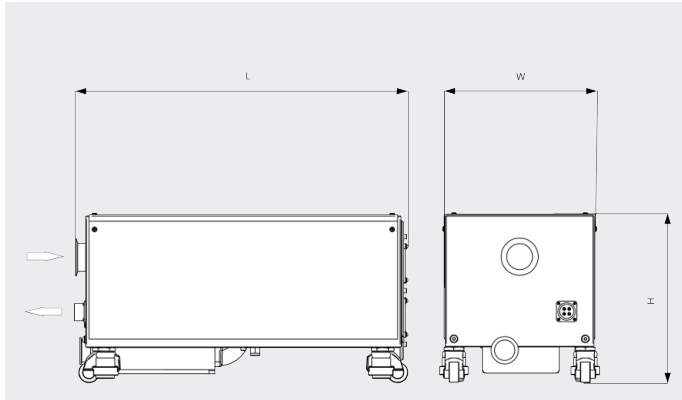
# COBRA BA 0100 C

Dry screw vacuum pump



VACUUM SOLUTIONS

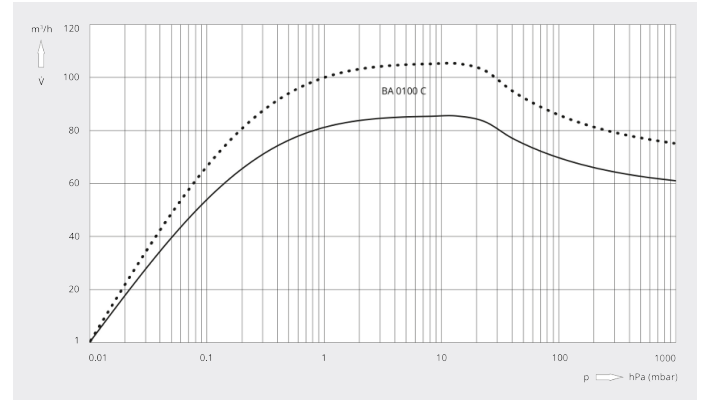
Dimensional drawing



Pumping speed

Air at 20°C. Tolerance: ± 10%

— 50 Hz    ..... 60 Hz



COBRA BA 0100 C	
Nominal pumping speed	61.8 ACFM
Ultimate pressure	0.0075 TORR
Nominal motor rating	2.4 HP
Power consumption at ultimate pressure	1.5 HP
Nominal motor speed	3600 RPM
Noise level (ISO 2151)	58 dB(A)
Nitrogen consumption	0 - 50 l/min
Weight approx.	264 Lbs.
Dimensions (L x W x H)	25.0 x 12 x 13.3 inches
Gas inlet / outlet	DN 50 KF / DN 40 KF
Additional information	<ul style="list-style-type: none"> <li>• Air cooling</li> <li>• Horizontal stainless steel silencer</li> <li>• Castor wheels with integrated silent blocks</li> <li>• Prefilled with PFPE oil</li> </ul>

## DO YOU WANT TO KNOW MORE?

Get in touch with us directly!  
[info@buschusa.com](mailto:info@buschusa.com) or +1 757 463 7800



CONTACT FORM



CALL NOW